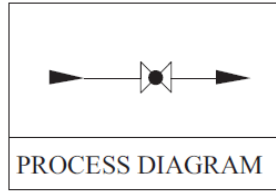


Ball Valves

Ball Valve - 2-pc MP

Dwg No. IIBV/2/MP

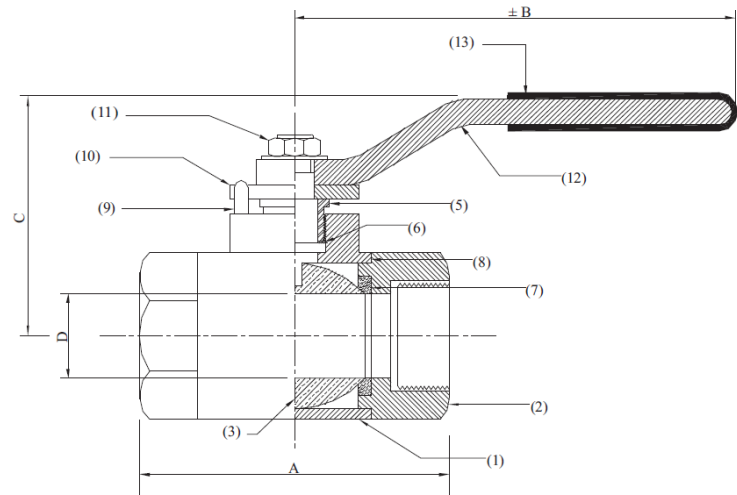


Orifice : 4 mm
 Pressure : up to 6000 psi
 Temperature : up to 400°C
 All dimensions in Millimetre



PART NO.	Size	A	B	C	D
IIBV/2/MP/01	1/8"	41	40	30	2.3
IIBV/2/MP/02	1/4"	51	53	40	6.4
IIBV/2/MP/03	3/8"	52	63	50	9.6
IIBV/2/MP/04	1/2"	63	102	55	12.7
IIBV/2/MP/05	3/4"	80	135	72	19
IIBV/2/MP/06	1"	90	142	80	25.4
IIBV/2/MP/07	1-1/4"	95	163	80	32
IIBV/2/MP/08	1-1/2"	108	195	101	50
IIBV/2/MP/09	2"	129	195	93	38
IIBV/2/MP/10	2-1/2"	152	250	131	63
IIBV/2/MP/11	3"	171	275	140	76

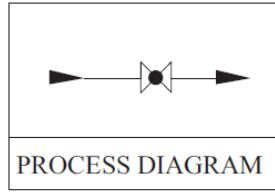
STANDARD DIMENSION TABLE			
NO.	DESCRIPTION	MATERIAL	QTY.
1	BODY	SS316	1
2	CONNECTOR	SS316	1
3	BALL	SS316	1
4	STEM	SS316	1
5	GLAND NUT	SS	1
6	S. WASHER	PTFE	1
7	B. WASHER	PTFE	1
8	P. WASHER	PTFE	1
9	STOPPER PIN	SS316	1
10	CAM PLATE	MS	1
11	NUT	SS	1
12	HANDLE	SS	1
13	SLEEVE	PVC	1



Ball Valves

Ball Valve - 2-pc HP

Dwg No. IIBV/2/HP



Orifice : 4 mm
 Pressure : up to 10000 psi
 Temperature : up to 400°C
 All dimensions in Millimetre



PART NO.	Size	A	B	C	D	SW
IIBV/2/HP/01	1/4"	51	60	40	6	9
IIBV/2/HP/02	3/8"	70	65	50	10	9
IIBV/2/HP/03	1/2"	84	130	50	12	9
IIBV/2/HP/04	3/4"	95	150	75	20	14
IIBV/2/HP/05	1"	111	160	80	25	14
IIBV/2/HP/06	1-1/4"	125	195	95	40	16
IIBV/2/HP/07	2"	140	195	105	50	19

STANDARD DIMENSION TABLE			
NO.	DESCRIPTION	MATERIAL	QTY.
1	BODY	SS316	1
2	CONNECTOR	SS316	1
3	BALL	SS316	1
4	STEM	SS316	1
5	GLAND NUT	SS	1
6	S. WASHER	PTFE	1
7	B. WASHER	PTFE	1
8	P. WASHER	PTFE	1
9	STOPPER PIN	SS316	1
10	CAM PLATE	MS	1
11	WASHER	SPRING STEEL	1
12	BOLT	CS	1
13	HANDLE	SS	1
14	SLEEVE	PVC	1

