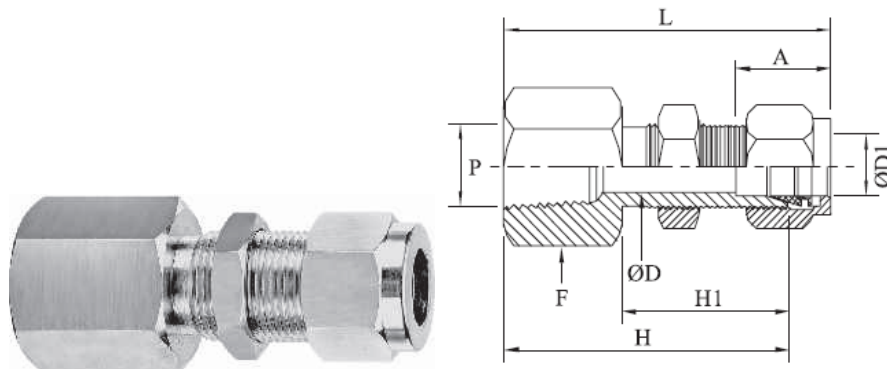


DOUBLE FERRULE COMPRESSION TUBE FITTINGS
Bulkhead Female Connector

Design: IICF/BFC



IMPERIAL										
PART NO.	ØD1 Imperial	P NPTF	ØD	F Hex	A inch	L inch	Panel Hole Size	Max Panel Thickness	H inch	H1 inch
IICF/BFC/2I-2I	1/8	1/8	0.09	9/16	0.5	1.76	21/64	0.50	1.50	0.97
IICF/BFC/4I-2I	1/4	1/8	0.19	5/8	0.60	1.85	29/64	0.40	1.56	1.03
IICF/BFC/4I-4I	1/4	1/4	0.19	5/8	0.60	2.04	29/64	0.40	1.75	1.03
IICF/BFC/6I-4I	3/8	1/4	0.28	3/4	0.66	2.17	37/64	0.44	1.88	1.16
IICF/BFC/8I-6I	1/2	3/8	0.41	7/8	0.90	2.43	49/64	0.50	2.03	1.25
IICF/BFC/8I-8I	1/2	1/2	0.41	1-1/16	0.90	2.62	49/64	0.50	2.22	1.25