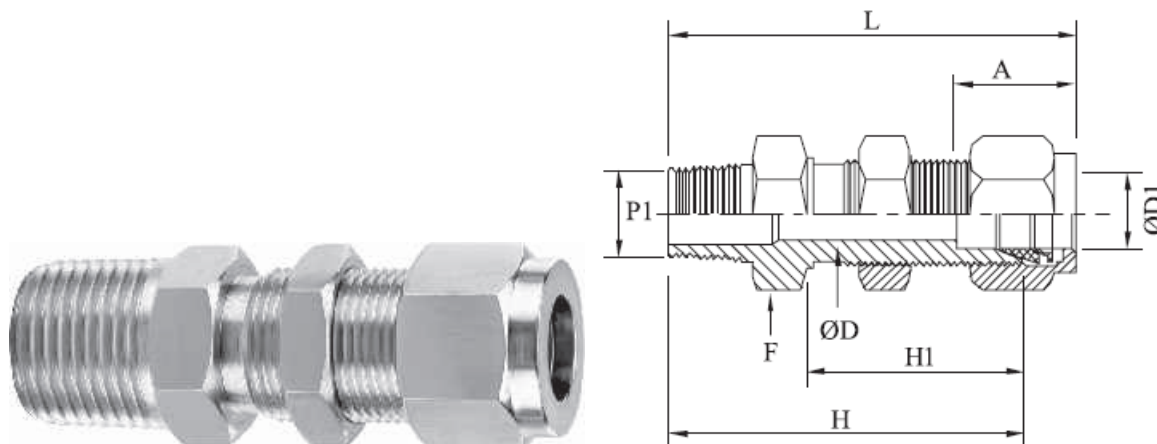


DOUBLE FERRULE COMPRESSION TUBE FITTINGS

Bulkhead Male Connector

Design: IICF/BMC



IMPERIAL									
PART NO.	ØD1 Imperial	P1 NPTM	ØD	F Hex	L inch	Panel Hole Size	Max Panel Thickness	H inch	H1 inch
IICF/BMC/2I-2I	1/8	1/8	0.09	1/2	1.83	21/64	0.50	1.57	0.97
IICF/BMC/4I-2I	1/4	1/8	0.19	5/8	1.95	29/64	0.40	1.66	1.03
IICF/BMC/4I-4I	1/4	1/4	0.19	5/8	2.10	29/64	0.40	1.81	1.03
IICF/BMC/6I-4I	3/8	1/4	0.28	3/4	2.26	37/64	0.44	1.97	1.16
IICF/BMC/8I-6I	1/2	3/8	0.37	15/16	2.49	49/64	0.50	2.09	1.25
IICF/BMC/8I-8I	1/2	1/2	0.41	15/16	2.71	49/64	0.50	2.31	1.25

METRIC									
PART NO.	ØD1 Metric	P1 NPTM	ØD	F Hex	L mm	Panel Hole Size	Max Panel Thickness	H mm	H1 mm
IICF/BMC/6M-2I	6	1/8	4.8	16.0	49.6	11.5	10.2	42.2	26.2
IICF/BMC/6M-4I	6	1/4	4.8	16.0	53.4	11.5	10.2	46.0	26.2
IICF/BMC/12M-8I	12	1/2	9.5	24.0	68.1	19.5	12.7	57.8	31.8