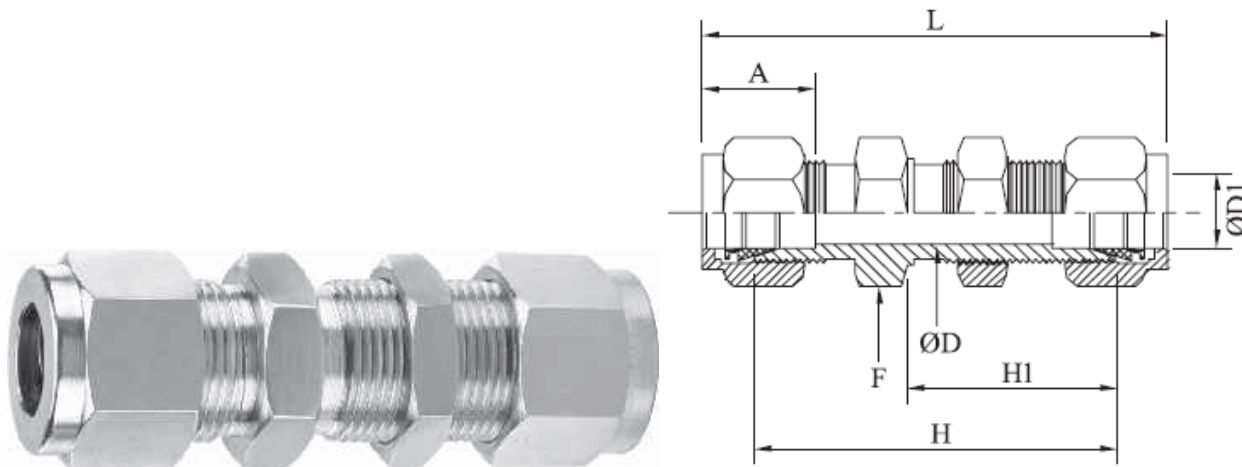


DOUBLE FERRULE COMPRESSION TUBE FITTINGS

Bulkhead Union

Design: IICF/BU



IMPERIAL									
PART NO.	ØD1 Imperial	ØD	F Hex	A inch	L inch	Panel Hole Size	Max Panel Thickness	H inch	H1 mm
IICF/BU/2I	1/8	0.09	1/2	0.50	1.24	13/64	0.12	23.87	13.46
IICF/BU/3I	3/16	0.12	9/16	0.54	2.11	25/64	0.50	40.38	25.40
IICF/BU/4I	1/4	0.19	5/8	0.60	2.27	29/64	0.40	42.92	26.16
IICF/BU/5I	5/16	0.25	11/16	0.64	2.39	33/64	0.44	45.97	28.44
IICF/BU/6I	3/8	0.28	3/4	0.66	2.45	37/64	0.44	47.49	29.46
IICF/BU/8I	1/2	0.41	15/16	0.90	2.80	49/64	0.50	50.80	31.75
IICF/BU/10I	5/8	0.50	1-1/16	0.96	2.86	57/64	0.50	52.32	32.51
IICF/BU/12I	3/4	0.62	1-3/16	0.96	3.11	11/64	0.66	58.67	37.33
IICF/BU/16I	1	0.88	1-5/8	1.23	3.77	121/64	0.75	71.37	45.21
IICF/BU/20I	1-1/4	1.09	1-7/8	1.62	4.85	141/64	0.75	78.99	47.75
IICF/BU/24I	1-1/2	1.34	2-1/4	1.97	5.48	161/64	0.75	84.83	49.27
IICF/BU/32I	2	1.81	2-3/4	2.66	7.10	241/64	0.75	105.66	56.38

METRIC									
PART NO.	ØD1 Metric	ØD	F Hex	A mm	L mm	Panel Hole Size	Max Panel Thickness	H mm	H1 mm
IICF/BU/4M	4	2.4	14	13.2	53.6	9.9	12.7	40.4	25.4
IICF/BU/6M	6	4.8	16	15.3	57.7	11.5	10.2	42.9	26.2
IICF/BU/8M	8	6.4	18	16.2	61.0	13.1	11.2	46.0	28.6
IICF/BU/10M	10	7.9	22	17.2	63.7	16.3	11.2	48.5	29.4
IICF/BU/12M	12	9.5	24	22.8	71.0	19.5	12.7	50.8	31.8
IICF/BU/14M	14	11.1	27	24.4	72.5	22.5	12.7	52.3	32.5
IICF/BU/15M	15	11.9	27	24.4	72.5	22.8	12.7	52.3	32.5
IICF/BU/16M	16	12.7	27	24.4	72.5	22.8	12.7	52.3	32.5
IICF/BU/18M	18	15.1	30	24.4	78.9	26.0	16.8	58.7	37.3
IICF/BU/20M	20	15.9	35	26.0	84.5	29.0	19.0	64.3	42.9
IICF/BU/25M	25	21.8	40	31.2	96.0	33.7	19.0	71.4	45.2
IICF/BU/30M	30	26.2	50	39.6	123.7	40.5	19.0	82.3	49.5
IICF/BU/32M	32	28.6	50	42.0	128.3	42.5	19.0	82.3	49.5
IICF/BU/38M	38	33.7	60	49.4	144.6	50.5	19.0	89.4	51.5