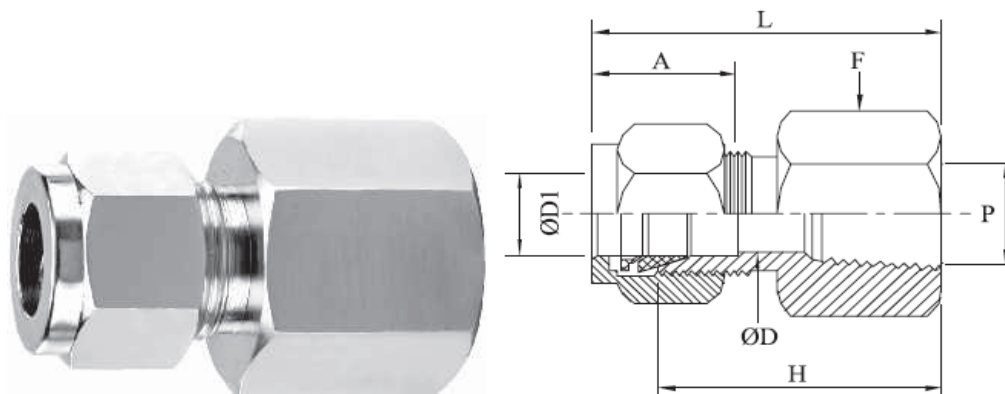


DOUBLE FERRULE COMPRESSION TUBE FITTINGS

# Female Connector

Design: IICF/FC/IN

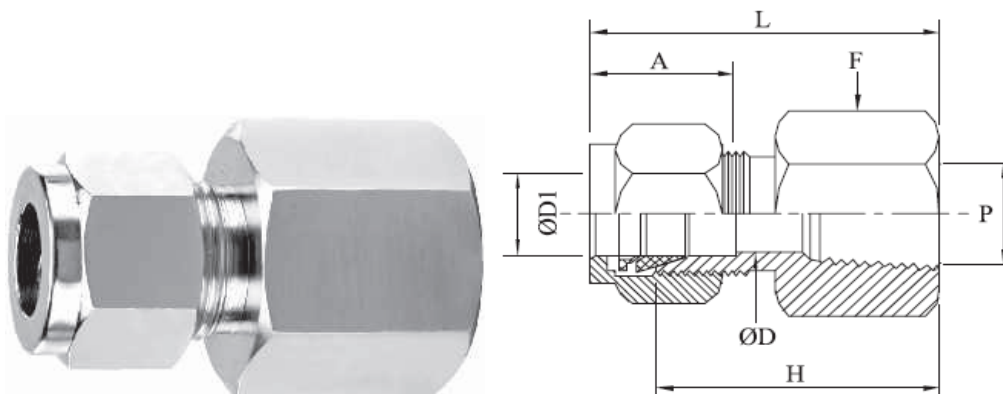


IMPERIAL							
PART NO.	ØD1 Imperial	P NPTF	ØD inch	F Hex	A inch	L inch	H mm
IICF/FC/2I-2T	1/8	1/8	0.09	9/16	0.50	1.13	23.08
IICF/FC/2I-4T	1/8	1/4	0.09	3/4	0.50	1.32	28.2
IICF/FC/3I-2T	3/16	1/8	0.12	9/16	0.54	1.17	23.5
IICF/FC/4I-2T	1/4	1/8	0.19	9/16	0.60	1.23	23.5
IICF/FC/4I-4T	1/4	1/4	0.19	3/4	0.60	1.41	28.5
IICF/FC/4I-6T	1/4	3/8	0.19	7/8	0.60	1.48	28.5
IICF/FC/4I-8T	1/4	1/2	0.19	1-1/16	0.60	1.67	33.4
IICF/FC/5I-2T	5/16	1/8	0.25	9/16	0.64	1.26	25.4
IICF/FC/5I-4T	5/16	1/4	0.25	3/4	0.64	1.45	30.1
IICF/FC/6I-2T	3/8	1/8	0.28	5/8	0.66	1.29	25.4
IICF/FC/6I-4T	3/8	1/4	0.28	3/4	0.66	1.48	30.2
IICF/FC/6I-6T	3/8	3/8	0.28	7/8	0.66	1.54	30.2
IICF/FC/6I-8T	3/8	1/2	0.28	1-1/16	0.66	1.73	35.0
IICF/FC/6I-12T	3/8	3/4	0.28	1-5/16	0.66	1.88	35.0
IICF/FC/8I-2T	1/2	1/4	0.41	7/8	0.90	1.59	30.2
IICF/FC/8I-6T	1/2	3/8	0.41	7/8	0.90	1.65	30.2
IICF/FC/8I-8T	1/2	1/2	0.41	1-1/16	0.90	1.84	35.1
IICF/FC/8I-12T	1/2	3/4	0.41	1-5/16	0.90	1.93	35.1
IICF/FC/10I-6T	5/8	3/8	0.50	15/16	0.96	1.65	30.2
IICF/FC/10I-8T	5/8	1/2	0.50	1-1/16	0.96	1.84	35.1
IICF/FC/10I-12T	5/8	3/4	0.50	1-3/8	0.96	1.90	35.1
IICF/FC/12I-8T	3/4	1/2	0.62	1-1/16	0.96	1.84	35.1
IICF/FC/12I-12T	3/4	3/4	0.62	1-3/8	0.96	1.90	35.1
IICF/FC/14I-12T	7/8	3/4	0.72	1-3/8	1.02	1.96	35.8
IICF/FC/16I-12T	1	3/4	0.88	1-3/8	1.23	2.10	37.3
IICF/FC/16I-16T	1	1	0.88	1-5/8	1.23	2.45	43.2
IICF/FC/20I-20T	1-1/4	1-1/4	1.09	2-1/8	1.62	2.94	52.57
IICF/FC/24I-24T	1-1/2	1-1/2	1.34	2-3/8	1.97	3.28	56.13
IICF/FC/32I-32T	2	2	1.81	2-7/8	2.66	4.00	64.26

DOUBLE FERRULE COMPRESSION TUBE FITTINGS

# Female Connector

Design: IICF/FC/MM



METRIC							
PART NO.	ØD1 Metric	P NPTM	ØD inch	F Hex	A mm	L mm	H mm
IICF/FC/4M-2T	4	1/8	2.4	14	13.7	29.7	23.1
IICF/FC/6M-2T	6	1/8	4.8	14	15.3	31.3	23.9
IICF/FC/6M-4T	6	1/4	4.8	19	15.3	35.8	28.4
IICF/FC/6M-6T	6	3/8	4.8	22	15.3	37.6	29.5
IICF/FC/6M-8T	6	1/2	4.8	27	15.3	42.5	35.1
IICF/FC/8M-2T	8	1/8	6.4	14	16.2	32.1	24.6
IICF/FC/8M-4T	8	1/4	6.4	19	16.2	37.0	29.5
IICF/FC/8M-6T	8	3/8	6.4	22	16.2	38.5	30.2
IICF/FC/8M-8T	8	1/2	6.4	27	16.2	43.3	35.8
IICF/FC/10M-4T	10	1/4	7.9	19	17.2	37.8	30.2
IICF/FC/10M-6T	10	3/8	7.9	22	17.2	39.4	31.0
IICF/FC/10M-8T	10	1/2	7.9	27	17.2	44.2	36.6
IICF/FC/12M-4T	12	1/4	9.5	22	22.8	40.3	30.2
IICF/FC/12M-6T	12	3/8	9.5	22	22.8	41.9	31.0
IICF/FC/12M-8T	12	1/2	9.5	27	22.8	46.7	36.6
IICF/FC/15M-8T	15	1/2	11.9	27	24.4	46.7	36.6
IICF/FC/16M-8T	16	1/2	12.7	27	24.4	46.9	36.8
IICF/FC/20M-8T	20	1/2	15.9	30	26.0	47.9	37.8
IICF/FC/20M-12T	20	3/4	15.9	35	26.0	49.7	39.6
IICF/FC/22M-12T	22	3/4	18.3	35	26.0	49.7	39.6
IICF/FC/22M-16T	22	1	18.3	41	26.0	57.9	47.8
IICF/FC/25M-12T	25	3/4	21.8	35	31.3	53.4	41.1
IICF/FC/25M-16T	25	1	21.8	41	31.3	62.3	62.3