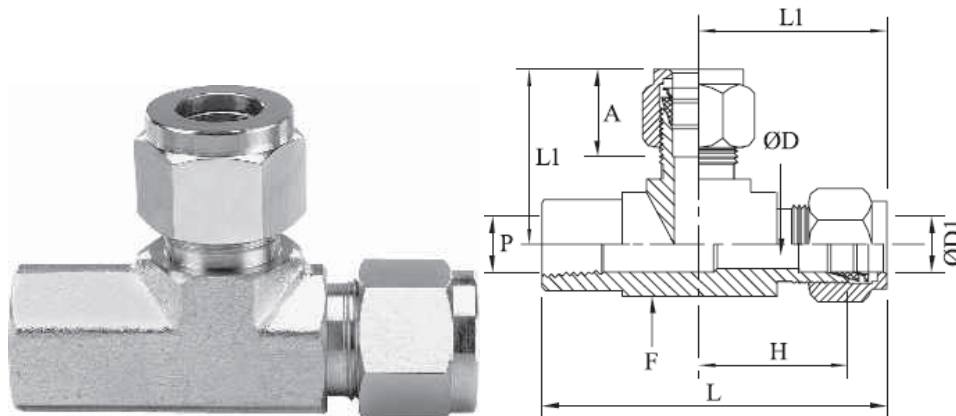


DOUBLE FERRULE COMPRESSION TUBE FITTINGS

Female Run Tee

Design: IICF/FRT



IMPERIAL								
PART NO.	ØD1 Imperial	P NPTF	ØD	F Hex	A inch	L1 inch	L inch	H mm
IICF/FRT/2I-2T	1/8	1/8	0.09	1/2	0.50	0.97	1.72	18.30
IICF/FRT/4I-2T	1/4	1/8	0.19	1/2	0.60	1.06	1.81	19.55
IICF/FRT/4I-4T	1/4	1/4	0.19	11/16	0.60	1.17	2.05	22.86
IICF/FRT/6I-4T	3/8	1/4	0.28	11/16	0.66	1.23	2.11	23.87
IICF/FRT/8I-6T	1/2	3/8	0.41	13/16	0.90	1.42	2.30	25.90
IICF/FRT/8I-8T	1/2	1/2	0.41	1-1/16	0.90	1.57	2.69	29.71
IICF/FRT/12I-12T	3/4	3/4	0.62	1-3/8	0.96	1.76	3.01	34.54
IICF/FRT/16I-12T	1	3/4	0.88	1-3/8	1.23	1.93	3.18	36.83
IICF/FRT/16I-16T	1	1	0.88	1-11/16	1.23	2.11	3.61	41.40

METRIC								
PART NO.	ØD1 Metric	P NPTF	ØD	F Hex	A mm	L1 mm	L mm	H mm
IICF/FRT/6M-2T	6	1/8	4.8	12.7	15.3	27.0	46.0	19.6
IICF/FRT/6M-4T	6	1/4	4.8	17.5	15.3	29.8	52.1	22.4
IICF/FRT/8M-2T	8	1/8	6.4	14	16.2	29.9	48.9	23.1
IICF/FRT/8M-4T	8	1/4	6.4	17.5	16.2	30.6	53.0	23.1
IICF/FRT/10M-4T	10	1/4	7.9	17.4	17.2	33.5	55.9	25.9
IICF/FRT/12M-4T	12	1/4	9.5	20.6	22.8	36.0	58.4	25.9
IICF/FRT/12M-6T	12	3/8	10.3	20.6	22.8	36.0	58.4	25.9
IICF/FRT/16M-8T	16	1/2	12.7	26.98	24.4	39.8	68.2	29.7