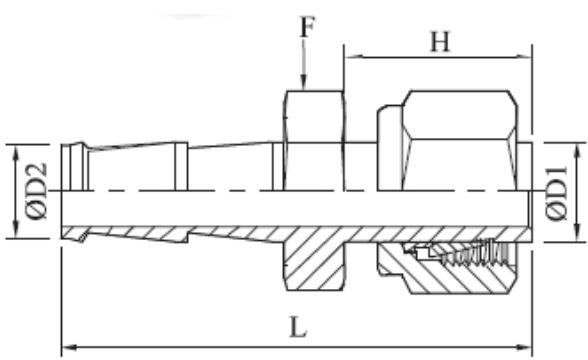


DOUBLE FERRULE COMPRESSION TUBE FITTINGS

Hose to Tube Compression-for Fractional Tube

Design: IICF/HTC/IN



IMPERIAL					
PART NO.	ØD1 Imperial	ØD2 Hose Size	L	H	F Hex
IICF/HTC/4I	1/4	-4	1.77	0.72	1/16
IICF/HTC/6I	3/8	-6	1.98	0.78	9/16
IICF/HTC/8I	1/2	-8	2.42	1.03	11/16