



IMPACT IMPEX

R:31, STANDARD BUILDING NO. 2,
120/122 V. V. CHANDAN STREET,
MUMBAI - 400 003, INDIA.
Tel: +91-22-23401191
Mob: +91-9967676717 / +91-9920300607
Email: impactimpex@gmail.com, sales@impactimpex.com
Website: www.impactimpex.com

**IMPACT IMPEX
PTFE, PFA, PVDF, PP LINED PIPE & FITTINGS.**

ANSI # 150.

The information contained in this publication is intended as a guide to customers, and is freely given in good faith. Whilst every care has been taken in its preparation, the company does not accept responsibility for inaccuracies. Development is continuous. Drawings and specifications may be modified from time to time without notice.



R:31, STANDARD BUILDING NO. 2,
 120/122 V. V. CHANDAN STREET,
 MUMBAI - 400 003, INDIA.
 Tel: +91-22-23401191
 Mob: +91-9967676717 / +91-9920300607
 Email: impactimpex@gmail.com, sales@impactimpex.com
 Website: www.impactimpex.com

IMPACT IMPEX

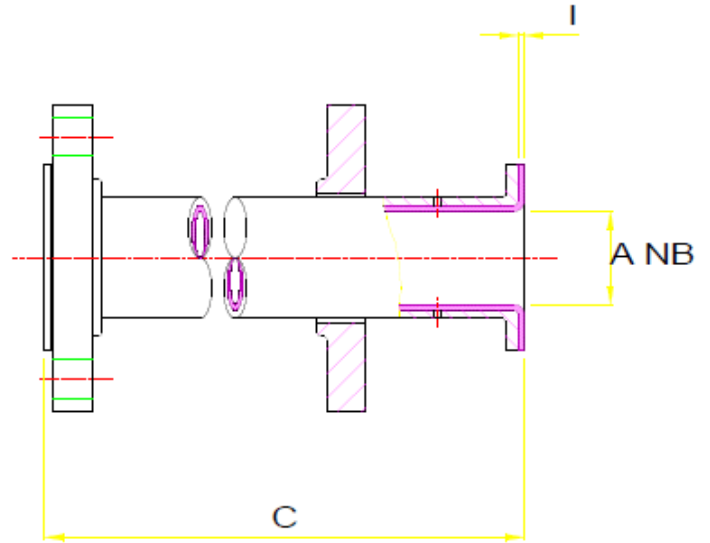
PIPE:

15 - 600 NPS

ANSI # 150

Steel Fabrication

PTFE: ASTM D 4894 Type IV & D 4895 Type III



A mm	C mm max.	C mm min.	T mm		1m ~kg	+ 1m ~kg
			STD	HD		
15	3,000	90	1.5	2	2	1.5
20	3,000	90	1.5	2	3	2.1
25	6,000	90	2.13	3.18	5.2	3.1
32	6,000	90	2.13	3.18	6.7	3.9
40	6,000	95	2.13	3.18	7.5	5
50	6,000	110	2.13	3.18	10.8	6.6
65	6,000	110	2.13	3.18	14.8	7.3
80	6,000	120	2.16	3.18	20	12.9
100	6,000	125	N.A.	4.25	29.8	18.6
125	4,500	140	N.A.	4.5	37	23
150	3,000	140	3.76	5.25	48.7	33.8
200	3,000	145	4.25	6.75	75.5	52
250	3,000	155	5.25	7.75	98.4	62
300	3,000	160	6.35	9	120	82
350	2,000	180	6.5	10	159	83.4
400	2,000	180	6.5	10	192	95.6
450	2,000	190	6.5	10	214	108
500	2,000	200	6.5	10	255	120.3
600	2,000	210	6.5	10	335	144.7

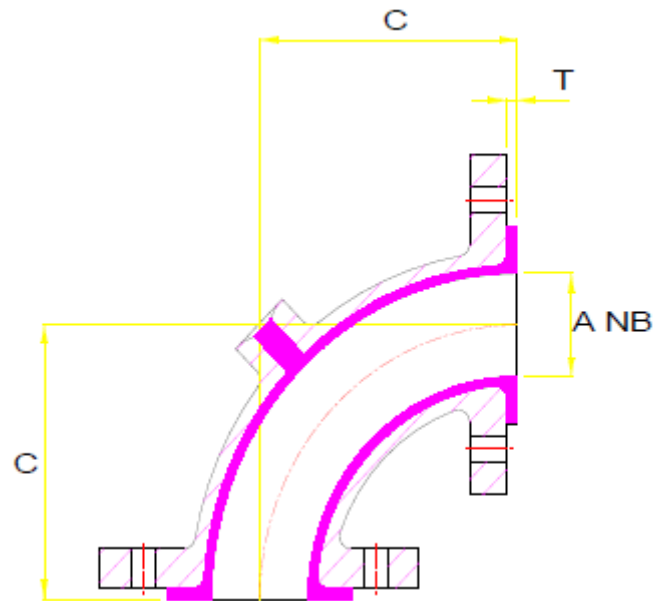


R:31, STANDARD BUILDING NO. 2,
120/122 V. V. CHANDAN STREET,
MUMBAI - 400 003, INDIA.
Tel: +91-22-23401191
Mob: +91-9967676717 / +91-9920300607
Email: impactimpex@gmail.com, sales@impactimpex.com
Website: www.impactimpex.com

90° Elbow 15 – 300

ANSI #150

S.G. Iron - EN-GJS-400-18-LT
Cast Steel - ASTM A 216 WCB
Steel Fabrication (PTFE Lined*)
PTFE: ASTM D 4895 Type III
PFA - ASTM D 3307 type II
PVDF - ASTM D 3222
Polypropylene - ASTM D 4101



A mm	C mm	T mm	~kg
15	65	1.5	1.9
20	75	1.5	2
25	89	5.6	2.4
40	102	5.6	3.9
50	114	5.6	6.4
80	140	5.6	12
100	165	6.4	19
150	203	7.1	34
200	229	7.9	57
250	279	7.9	91
300	305	9.5	110



R:31, STANDARD BUILDING NO. 2,
120/122 V. V. CHANDAN STREET,
MUMBAI - 400 003, INDIA.
Tel: +91-22-23401191
Mob: +91-9967676717 / +91-9920300607
Email: impactimpex@gmail.com, sales@impactimpex.com
Website: www.impactimpex.com

IMPACT IMPEX

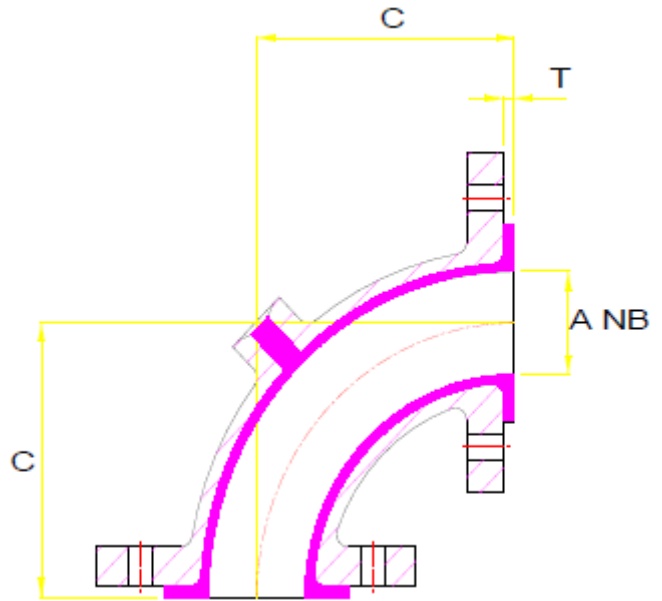
90° Elbow 350 - 600

ANSI # 150.

Two Piece, Long Radius

PTFE: ASTM D 4894 Type IV & D 4895 Type III

Steel - ASTM A 234 gr. WPB, ASTM A 105.



A mm	C mm	T mm	~ kg
350	546	10	125
400	610	10	150
450	673	10	190
500	737	10	245
600	864	10	335



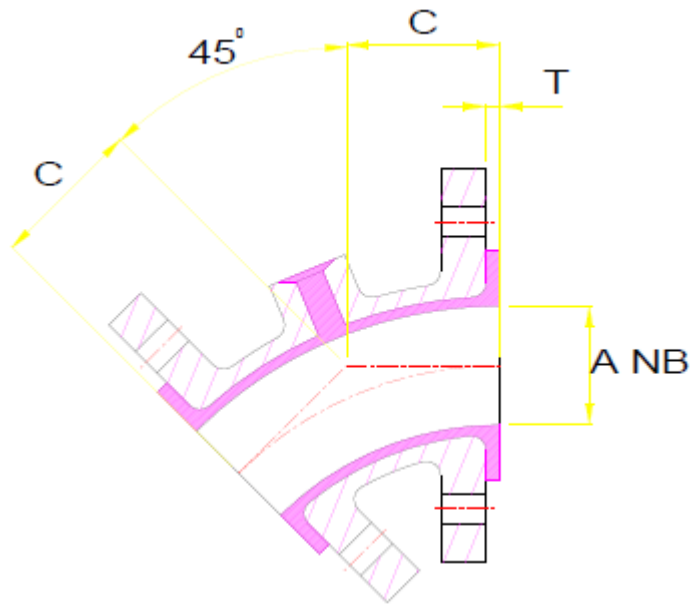
R:31, STANDARD BUILDING NO. 2,
 120/122 V. V. CHANDAN STREET,
 MUMBAI - 400 003, INDIA.
 Tel: +91-22-23401191
 Mob: +91-9967676717 / +91-9920300607
 Email: impactimpex@gmail.com, sales@impactimpex.com
 Website: www.impactimpex.com

IMPACT IMPEX

45° Elbow 15 - 300

ANSI # 150

S.G. Iron to EN-GJS-400-18-LT
 Cast Steel to ASTM A 216 WCB
 Steel Fabrication (PTFE Lined)
 ASTM A 234 gr. WPB, ASTM A 105
 PTFE: ASTM D 4895 Type III
 PFA - ASTM D 3307 type II
 PVDF - ASTM D 3222
 Polypropylene - ASTM D 4101



A mm	C mm	T mm	~kg
15	45	1.5	1.7
20	45	1.5	1.9
25	45	5.6	2
40	57	5.6	3.2
50	64	5.6	4.8
80	76	5.6	9.8
100	102	6.4	17
150	127	7.1	29
200	140	7.9	50
250	165	7.9	73
300	190	9.5	87
350	190	10	99
400	203	10	116
450	216	10	139
500	241	10	167
600	279	10	234



R:31, STANDARD BUILDING NO. 2,
120/122 V. V. CHANDAN STREET,
MUMBAI - 400 003, INDIA.
Tel: +91-22-23401191
Mob: +91-9967676717 / +91-9920300607
Email: impactimpex@gmail.com, sales@impactimpex.com
Website: www.impactimpex.com

IMPACT IMPEX

Equal Tee 15 - 300

ANSI # 150

S.G. Iron - EN-GJS-400-18-LT

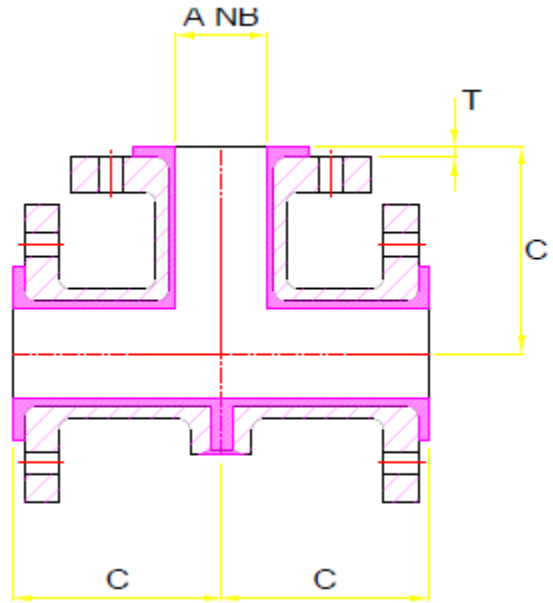
Cast Steel - ASTM A 216 WCB

Steel Fabrication

PFA - ASTM D 3307 type II

PVDF - ASTM D 3222

Polypropylene - ASTM D 4101



A mm	C mm	T mm	~kg
15	65	2.9	2
20	75	2.9	2.8
25	89	5.6	4.5
40	102	5.6	6.4
50	114	5.6	8.9
80	140	5.6	18.2
100	165	6.4	30
150	203	7.1	55
200	229	7.9	82
250	279	7.9	132
300	305	9.5	181



IMPACT IMPEX

R:31, STANDARD BUILDING NO. 2,
120/122 V. V. CHANDAN STREET,
MUMBAI - 400 003, INDIA.
Tel: +91-22-23401191
Mob: +91-9967676717 / +91-9920300607
Email: impactimpex@gmail.com, sales@impactimpex.com
Website: www.impactimpex.com

Equal Tee 350 - 600

ANSI # 150

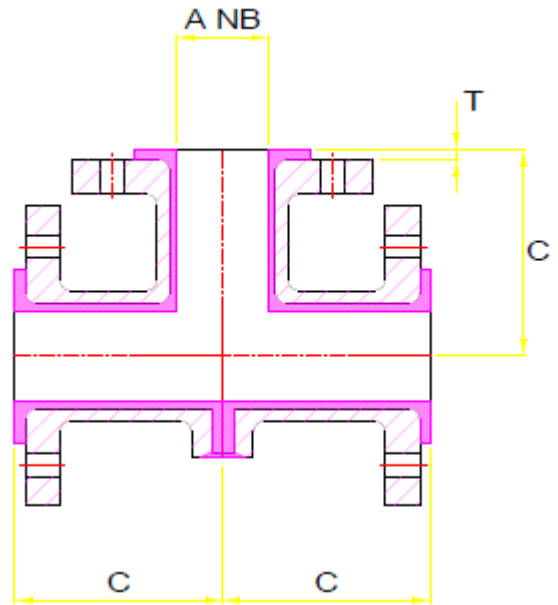
Steel Fabrication

Body Plate: BS 1501-151-430A

Tube: API 5L gr. B

Flange: ASTM A 105

PTFE: ASTM D 4894 Type IV



A mm	C mm	T mm	~kg
350	356	10	315
400	381	10	380
450	419	10	415
500	457	10	480
600	559	10	630



R:31, STANDARD BUILDING NO. 2,
 120/122 V. V. CHANDAN STREET,
 MUMBAI - 400 003, INDIA.
 Tel: +91-22-23401191
 Mob: +91-9967676717 / +91-9920300607
 Email: impactimpex@gmail.com, sales@impactimpex.com
 Website: www.impactimpex.com

IMPACT IMPEX

Reducing Tee 25 - 150

ANSI # 150

S.G. Iron - EN-GJS-400-18-LT

Cast Steel - ASTM A 216 WCB

Steel Fabrication

Body Plate: BS 1501-151-430A

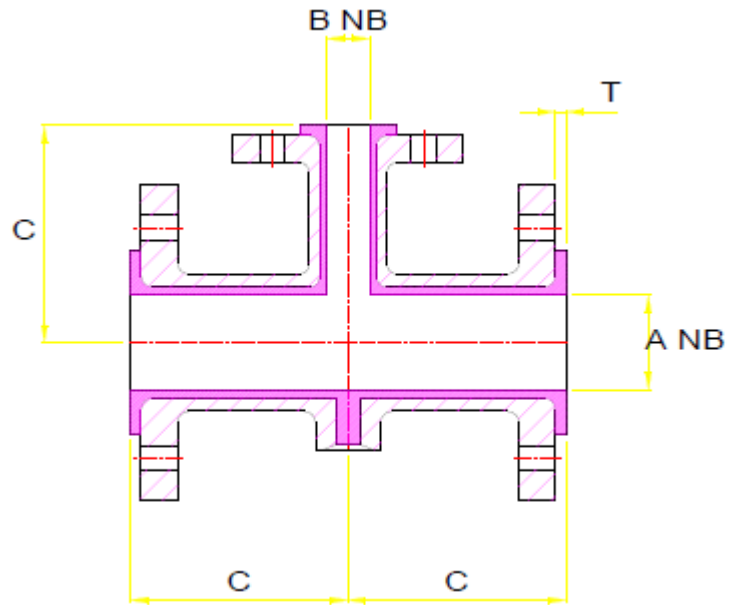
Tube: API 5L gr. B

Flange: ASTM A 105

PFA - ASTM D 3307 type II

PVDF - ASTM D 3222

Polypropylene -to ASTM D 4101



A mm	B mm	C mm	T mm	~kg
25	15	89	5.6	4
25	20	89	5.6	4.5
40	15	102	5.6	6
40	20	102	5.6	6.5
40	25	102	5.6	6.5
50	20	114	5.6	7
50	25	114	5.6	8
50	40	114	5.6	9
80	25	140	5.6	14
80	40	140	5.6	15
80	50	140	5.6	16
100	25	165	6.4	23
100	40	165	6.4	25
100	50	165	6.4	27
100	80	165	6.4	29
150	25	203	7.1	40
150	40	203	7.1	44
150	50	203	7.1	47
150	80	203	7.1	50
150	100	203	7.1	53



R:31, STANDARD BUILDING NO. 2,
 120/122 V. V. CHANDAN STREET,
 MUMBAI - 400 003, INDIA.
 Tel: +91-22-23401191
 Mob: +91-9967676717 / +91-9920300607
 Email: impactimpex@gmail.com, sales@impactimpex.com
 Website: www.impactimpex.com

IMPACT IMPEX

Reducing Tee 200 - 300

ANSI # 150

S.G. Iron - EN-GJS-400-18-LT

Cast Steel - ASTM A 216 WCB

Steel Fabrication

Body Plate: BS 1501-151-430A

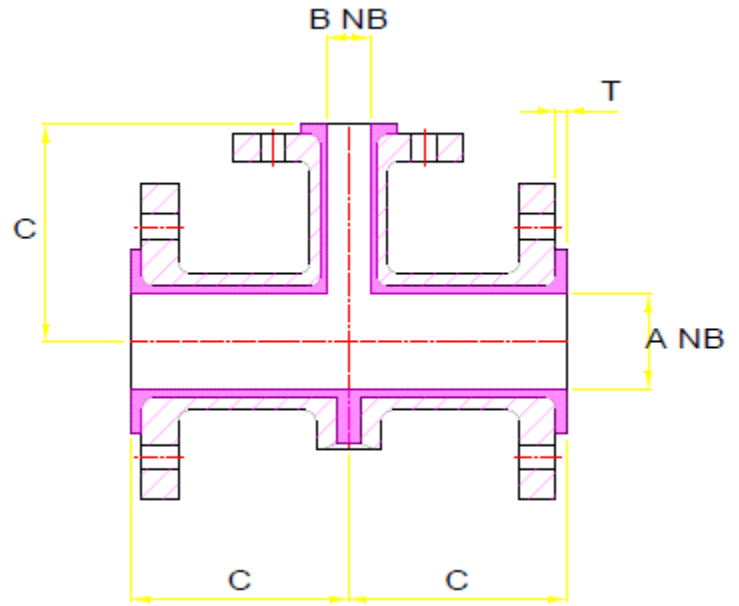
Tube: API 5L gr. B

Flange: ASTM A 105

PFA - ASTM D 3307 type II

PVDF - ASTM D 3222

Polypropylene -to ASTM D 4101



A mm	B mm	C mm	T mm	~kg
200	25	229	7.9	68
200	40	229	7.9	70
200	50	229	7.9	72
200	80	229	7.9	74
200	100	229	7.9	77
200	150	229	7.9	80
250	100	279	7.9	112
250	150	279	7.9	114
250	200	279	7.9	120
300	100	305	9.5	150
300	150	306	9.5	155
300	200	306	9.5	165
300	250	306	9.5	174



R:31, STANDARD BUILDING NO. 2,
 120/122 V. V. CHANDAN STREET,
 MUMBAI - 400 003, INDIA.
 Tel: +91-22-23401191
 Mob: +91-9967676717 / +91-9920300607
 Email: impactimpex@gmail.com, sales@impactimpex.com
 Website: www.impactimpex.com

IMPACT IMPEX

Reducing Tee 350 - 500

ANSI # 150

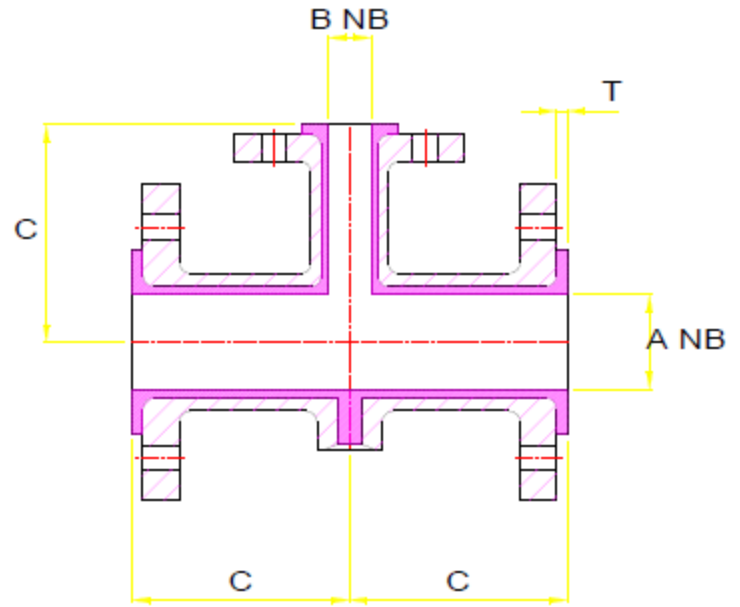
Steel Fabrication

Body Plate: BS 1501-151-430A

Tube: API 5L gr. B

Flange: ASTM A 105

PTFE: ASTM D 4894 Type IV



A mm	B mm	C mm	T mm	~kg
350	300	356	10	310
	250			300
	200			290
	150			205
	100			200
400	350	381	10	380
	300			365
	250			355
	200			290
	150			235
	100			250
450	400	419	10	450
	350			
	300			
	250			
	200			
	150			
500	450	457	10	510
	400			
	350			
	300			
	250			
	200			
	150			
	100			



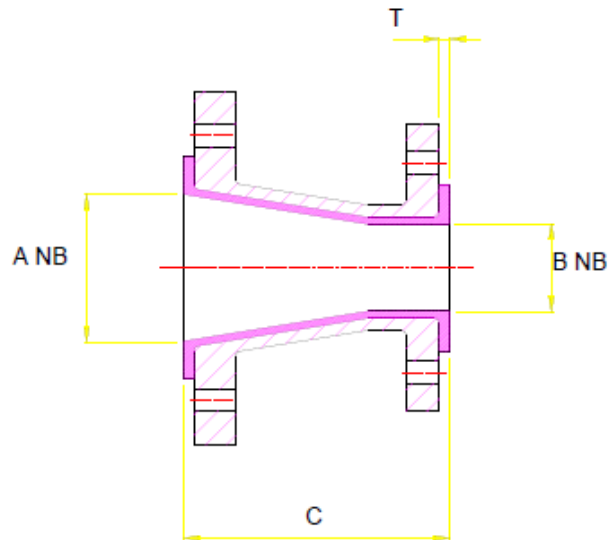
R:31, STANDARD BUILDING NO. 2,
120/122 V. V. CHANDAN STREET,
MUMBAI - 400 003, INDIA.
Tel: +91-22-23401191
Mob: +91-9967676717 / +91-9920300607
Email: impactimpex@gmail.com, sales@impactimpex.com
Website: www.impactimpex.com

IMPACT IMPEX

Concentric Reducer 25 - 300

ANSI # 150

S.G. Iron - EN-GJS-400-18-LT
Cast Steel - ASTM A 216 WCB
Steel Fabrication
PTFE: ASTM D 4895 Type III
PFA - ASTM D 3307 type II
PVDF - ASTM D 3222
Polypropylene - ASTM D 4101



A mm	B mm	C mm	T mm	~kg
25	15	114	3	2
25	20	114	3	2
40	15	114	5.6	3
40	20	114	5.6	3
40	25	114	5.6	3
50	25	127	5.6	4
50	40	127	5.6	5
65	40	140	3	5.5
80	25	152	5.6	6
80	40	152	5.6	7
80	50	152	5.6	8
80	65	152	5.6	9
100	40	178	6.4	10
100	50	178	6.4	11
100	80	178	6.4	13
150	40	229	7.1	19
150	50	229	7.1	19
150	80	229	7.1	20
150	100	229	7.1	24
200	100	279	7.9	24
200	150	279	7.9	35
250	100	305	7.9	48
250	150	305	7.9	48
250	200	305	7.9	57
300	150	356	9.5	75
300	200	356	9.5	77
300	250	356	9.5	86

Tapped holes on cast steel WCB items on flange B only



R:31, STANDARD BUILDING NO. 2,
120/122 V. V. CHANDAN STREET,
MUMBAI - 400 003, INDIA.
Tel: +91-22-23401191
Mob: +91-9967676717 / +91-9920300607
Email: impactimpex@gmail.com, sales@impactimpex.com
Website: www.impactimpex.com

IMPACT IMPEX

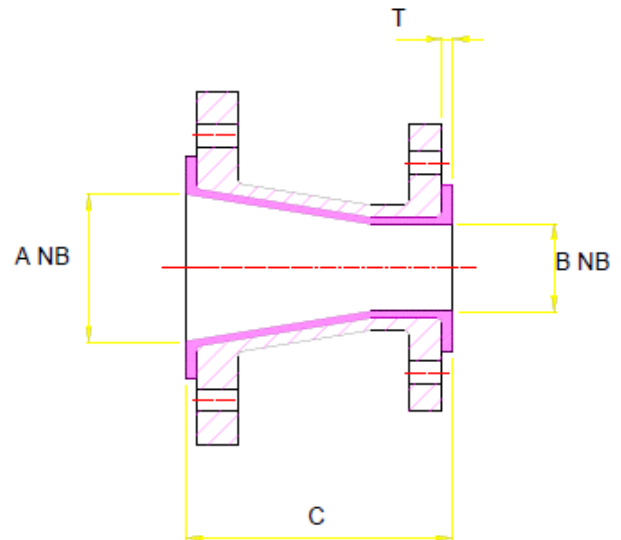
Concentric Reducer 350 - 600

ANSI # 150

Steel Fabrication - ASTM A 234

ASTM A 105

PTFE: ASTM D 4894 Type IV



A mm	B mm	C mm	T mm	~kg
350	300	406	10	80
400	350	457	10	115
450	400	483	10	157
500	450	508	10	225
600	500	610	10	300

Reductions may be achieved by the use of combined reducers and reducing flanges. The overall length would be that of the reducer plus the reducing flange thickness.



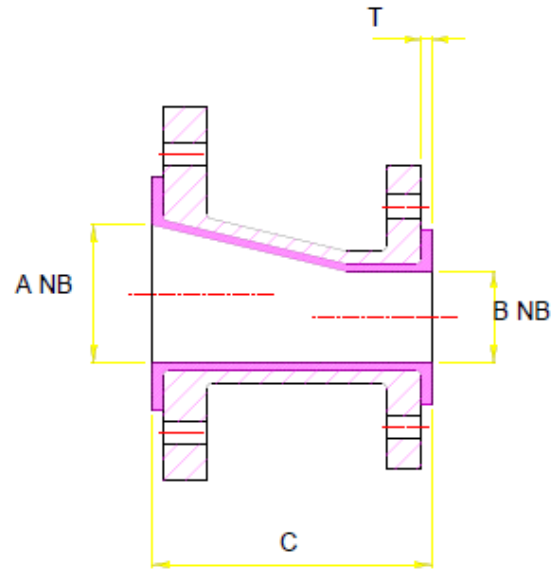
R:31, STANDARD BUILDING NO. 2,
120/122 V. V. CHANDAN STREET,
MUMBAI - 400 003, INDIA.
Tel: +91-22-23401191
Mob: +91-9967676717 / +91-9920300607
Email: impactimpex@gmail.com, sales@impactimpex.com
Website: www.impactimpex.com

IMPACT IMPEX

Eccentric Reducer 25 - 300

ANSI # 150

S.G. Iron - EN-GJS-400-18-LT
Cast Steel - ASTM A 216 WCB
Steel Fabrication - ASTM A 234,
ASTM A 105
PTFE: ASTM D 4895 Type III
PFA - ASTM D 3307 type II
PVDF - ASTM D 3222
Polypropylene - ASTM D 4101



A mm	B mm	C mm	T mm	~kg
25	15	114	3	2
25	20	114	3	2
40	15	114	5.6	3
40	20	114	5.6	3
40	25	114	5.6	3
50	25	127	5.6	4
50	40	127	5.6	5
65	40	140	3	5.5
80	25	152	5.6	6
80	40	152	5.6	7
80	50	152	5.6	8
80	65	152	5.6	9
100	40	178	6.4	10
100	50	178	6.4	11
100	65	178	6.4	12
100	80	178	6.4	13
150	40	229	7.1	19
150	80	229	7.1	20
150	100	229	7.1	24
200	100	279	7.9	24
200	150	279	7.9	35
250	100	305	7.9	48
250	150	305	7.9	48
250	200	305	7.9	57
300	200	356	9.5	77
300	250	356	9.5	86

Tapped holes on cast steel WCB items on flange B only



R:31, STANDARD BUILDING NO. 2,
120/122 V. V. CHANDAN STREET,
MUMBAI - 400 003, INDIA.
Tel: +91-22-23401191
Mob: +91-9967676717 / +91-9920300607
Email: impactimpex@gmail.com, sales@impactimpex.com
Website: www.impactimpex.com

IMPACT IMPEX

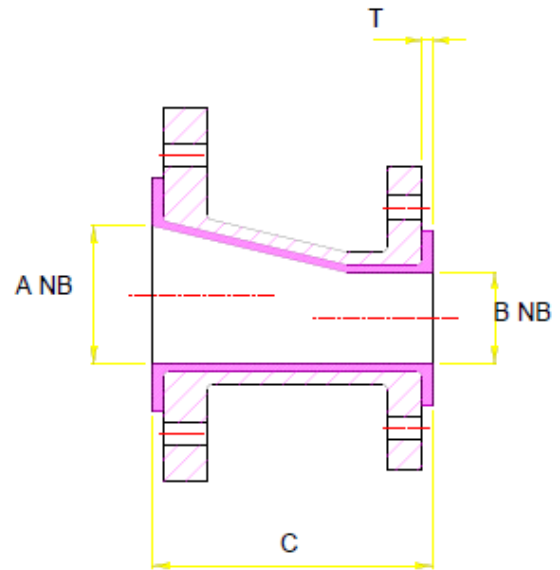
Eccentric Reducer 350 – 600

ANSI # 150

Steel Fabrication - ASTM A 234,

ASTM A 105

PTFE: ASTM D 4894 Type



A mm	B mm	C mm	T mm	~kg
350	300	406	10	80
400	350	457	10	115
450	400	483	10	160
500	450	508	10	225
600	500	610	10	300

Reductions may be achieved by the use of combined reducers and reducing flanges. The overall length would be that of the reducer plus the reducing flange thickness.



R:31, STANDARD BUILDING NO. 2,
 120/122 V. V. CHANDAN STREET,
 MUMBAI - 400 003, INDIA.
 Tel: +91-22-23401191
 Mob: +91-9967676717 / +91-9920300607
 Email: impactimpex@gmail.com, sales@impactimpex.com
 Website: www.impactimpex.com

IMPACT IMPEX

Instrument Tee 25 - 300

ANSI # 150

S.G. Iron to EN-GJS-400-18-LT

Steel Fabrication

Body plate: BS 1501 - 151 - 430A

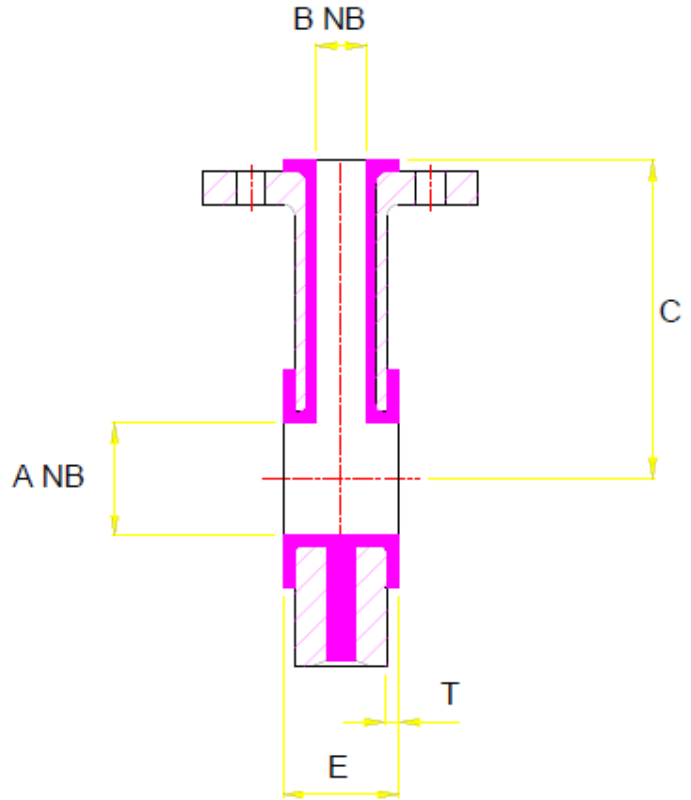
Tube: API 5L Gr. B

Flange: ASTM A 105N

PFA - ASTM D 3307 type II

PVDF - ASTM D 3222

Polypropylene - ASTM D 4101



A	C	T	E	~kg	E	~kg	E	~kg	E	~kg	E	~kg	E	~kg
	mm	mm	mm		mm		mm		mm		mm		mm	
			x 15	x 15	x 20	x 20	x 25	x 25	x 32	x 32	x 40	x 40	x 50	x 50
25	89	5.6	51	4.2	51	4.5	51	2						
40	102	5.6	51	5.4	51	5.7	51	2.5	76	3.7	76	8.5		
50	141	5.6	51	6.8	51	7	51	3.3	76	4.9	76	11		5.6
80	160	5.6	51	9	51	9	51	4.3	76	6.4	76	15	89	7.4
100	179	5.6	51	10	51	10.2	51	5.5	76	8.2	76	16	89	9.4
125	205	6.4	51	14	51	14	51	6.2	76	9.7	76	23	89	11.1
150	205	6.4	51	15	51	16	51	7.5	76	11.2	76	29	89	12.8
200	237	7.1	51	17	51	18	51	10.7	76	16.0	76	35	89	18.3
250	264	7.9	51	25	51	26	51	12.5	76	18.7	76	41	89	21.4
300	318	7.9	51	32	51	33	51	14.5	76	21.7	76	53	89	24.8

8 - Hole patterns require threaded bolt holes on 50 nb branch items.



R:31, STANDARD BUILDING NO. 2,
120/122 V. V. CHANDAN STREET,
MUMBAI - 400 003, INDIA.
Tel: +91-22-23401191
Mob: +91-9967676717 / +91-9920300607
Email: impactimpex@gmail.com, sales@impactimpex.com
Website: www.impactimpex.com

IMPACT IMPEX

Instrument Tee 350 - 600

ANSI # 150

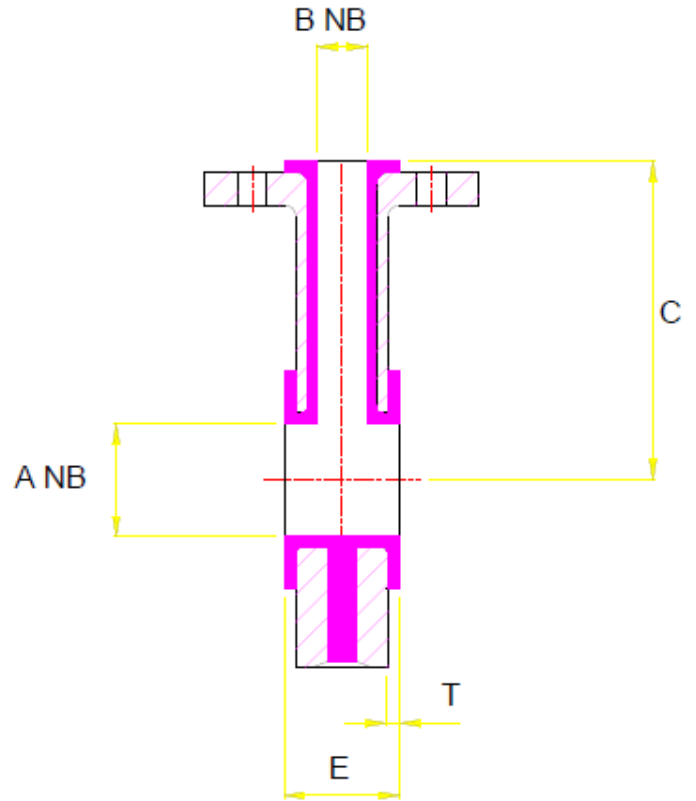
Steel Fabrication

Body plate: BS 1501 - 151 - 430A

Tube: API 5L Gr. B

Flange: ASTM A 105N

PFA - ASTM D 3307 type II



A	C	T	E(25)	~kg	E(40)	~kg	E(50)	~kg
350	330	10	90	77	90	150	90	175
400	360	10	90	100	90	195	90	230
450	380	10	90	120	90	235	90	275
500	410	10	90	148	90	290	90	340
600	470	10	90	210	90	410	90	475



R:31, STANDARD BUILDING NO. 2,
 120/122 V. V. CHANDAN STREET,
 MUMBAI - 400 003, INDIA.
 Tel: +91-22-23401191
 Mob: +91-9967676717 / +91-9920300607
 Email: impactimpex@gmail.com, sales@impactimpex.com
 Website: www.impactimpex.com

IMPACT IMPEX

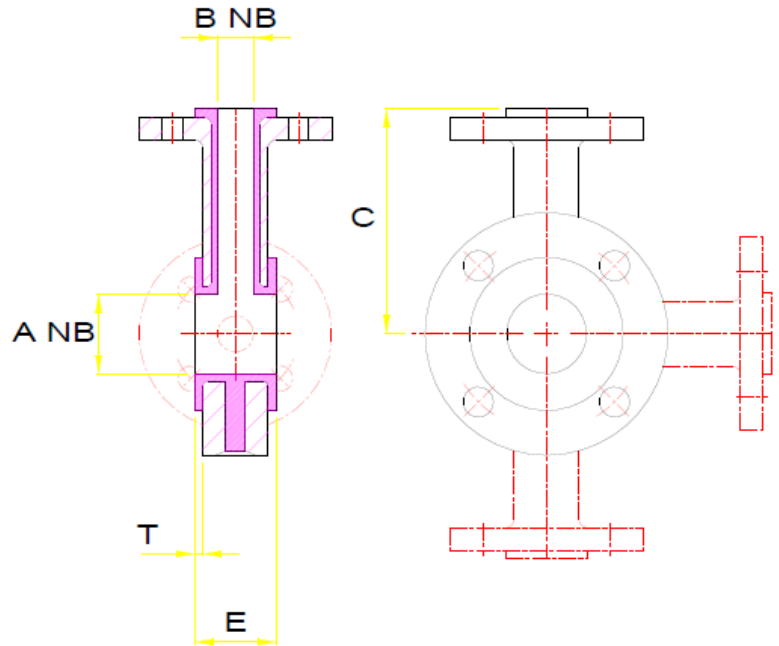
Multibranch Connector 25 - 300

Full-Face

ANSI # 150

Steel Fabrication

PFA - ASTM D 3307 type II



A	C	T	E	~kg	E	~kg	E	~kg	E	~kg	E	~kg	E	~kg
	mm	mm	mm		mm		mm		mm		mm		mm	
			x 15	x 15	x 20	x 20	x 25	x 25	x 32	x 32	x 40	x 40	x 50	x 50
25	89	5.6	51	2.1	51	2.3	51	2.6	76	----	76	----	89	----
32	102	5.6	51	2.6	51	2.9	51	3.1	76	----	76	----	89	----
40	102	5.6	51	3.6	51	3.7	51	4	76	5.7	76	6	89	----
50	141	5.6	51	4.5	51	4.6	51	4.9	76	7.1	76	7.3	89	----
65	160	5.6	51	5.7	51	5.9	51	6.2	76	9	76	9.3	89	12
80	160	5.6	51	6.8	51	7	51	7.3	76	11	76	11	89	14
100*	179	6.4	51	9.3	51	9.5	51	10	76	15	76	15	89	19
125	205	6.4	51	11	51	11	51	12	76	17	76	18	89	22
150	205	7.1	51	12	51	12	51	13	76	19	76	19	89	24
200	237	7.9	51	18	51	18	51	18	76	27	76	28	89	34
250	264	7.9	51	28	51	29	51	28	76	44	76	45	89	53
300	318	7.9	51	31	51	32	51	31	76	49	76	49	89	60



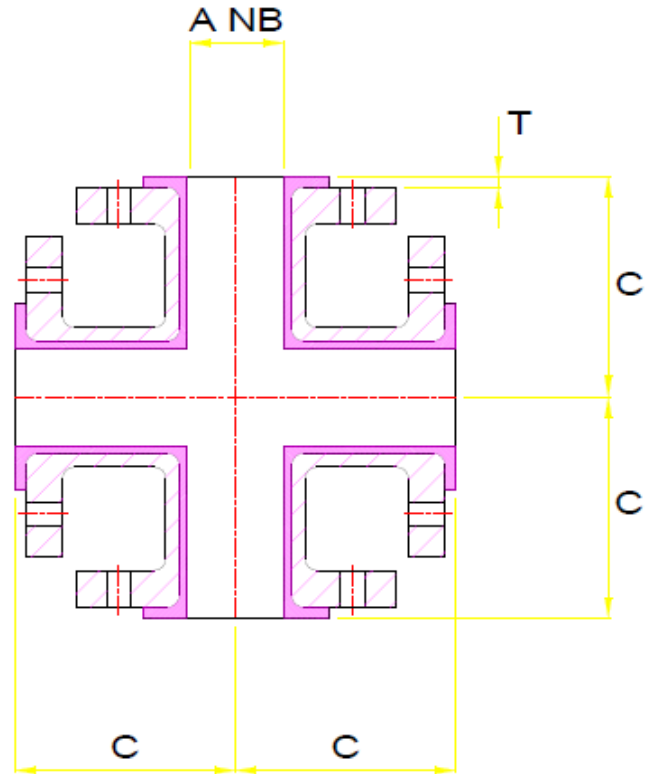
R:31, STANDARD BUILDING NO. 2,
120/122 V. V. CHANDAN STREET,
MUMBAI - 400 003, INDIA.
Tel: +91-22-23401191
Mob: +91-9967676717 / +91-9920300607
Email: impactimpex@gmail.com, sales@impactimpex.com
Website: www.impactimpex.com

IMPACT IMPEX

Equal Cross 15 – 250

ANSI #150

S.G. Iron - EN-GJS-400-18-LT
Cast Steel - ASTM A 216 WCB
Steel Fabrication
PFA - ASTM D 3307 type II
PVDF - ASTM D 3222
Polypropylene - ASTM D 4101



A mm	C mm	T mm	~kg
15	65	2.9	3.1
20	75	2.9	3.9
25	89	5.6	5.4
40	102	5.6	8.6
50	114	5.6	13
80	140	5.6	23
100	165	6.4	39
150	203	7.1	66
200	229	7.9	99
250	279	7.9	161



R:31, STANDARD BUILDING NO. 2,
120/122 V. V. CHANDAN STREET,
MUMBAI - 400 003, INDIA.
Tel: +91-22-23401191
Mob: +91-9967676717 / +91-9920300607
Email: impactimpex@gmail.com, sales@impactimpex.com
Website: www.impactimpex.com

IMPACT IMPEX

Equal Cross 300 - 600

ANSI # 150

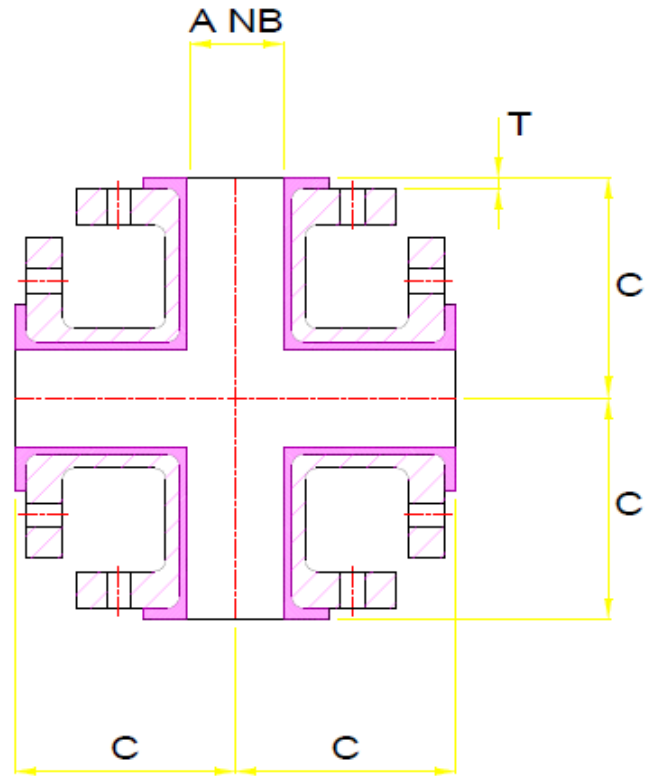
Steel Fabrication

Body plate: BS 1501 - 151 - 430A

Tube: API 5L Gr. B

Flange: ASTM A 105N

PTFE: ASTM D 4894 Type



A mm	C mm	T mm	~kg
300	305	8.9	T.B.A.
350	356	10	T.B.A.
400	381	10	T.B.A.
450	419	10	T.B.A.
500	457	10	T.B.A.
600	559	10	T.B.A.



R:31, STANDARD BUILDING NO. 2,
120/122 V. V. CHANDAN STREET,
MUMBAI - 400 003, INDIA.
Tel: +91-22-23401191
Mob: +91-9967676717 / +91-9920300607
Email: impactimpex@gmail.com, sales@impactimpex.com
Website: www.impactimpex.com

IMPACT IMPEX

Lateral Tee T 25 - 200

ANSI # 150

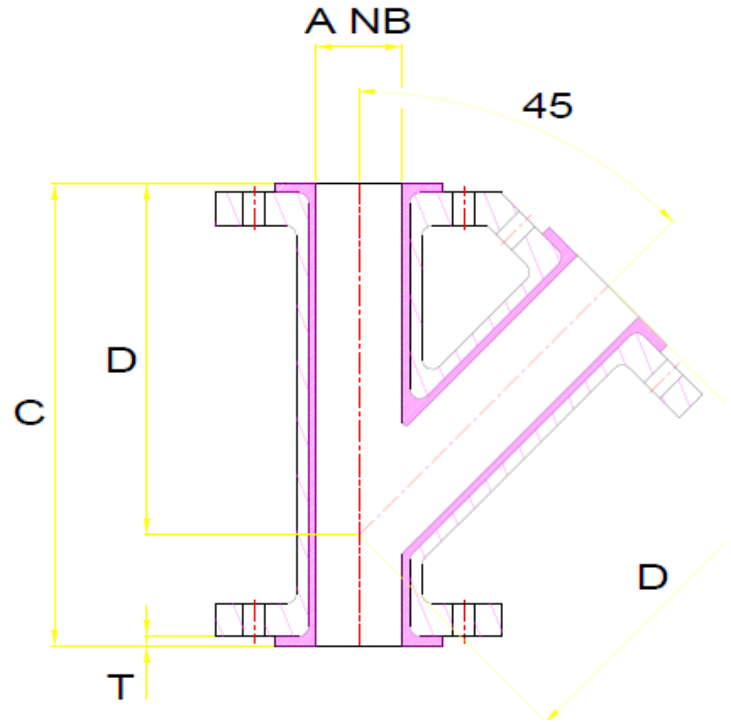
Cast Steel - ASTM A 216 WCB

Steel Fabrication

PFA - ASTM D 3307 type II

PVDF - ASTM D 3222

Polypropylene - ASTM D 4101



A mm	C mm	D mm	T mm	~kg
25	191	146	5.6	5
40	229	178	5.6	8
50	267	203	5.6	11
80	330	254	5.6	24
100	381	305	6.4	44
150	457	368	7.1	66
200	559	445	7.9	100

A limited range of reducing laterals is also available



R:31, STANDARD BUILDING NO. 2,
120/122 V. V. CHANDAN STREET,
MUMBAI - 400 003, INDIA.
Tel: +91-22-23401191
Mob: +91-9967676717 / +91-9920300607
Email: impactimpex@gmail.com, sales@impactimpex.com
Website: www.impactimpex.com

IMPACT IMPEX

Blind Flange 15 - 300

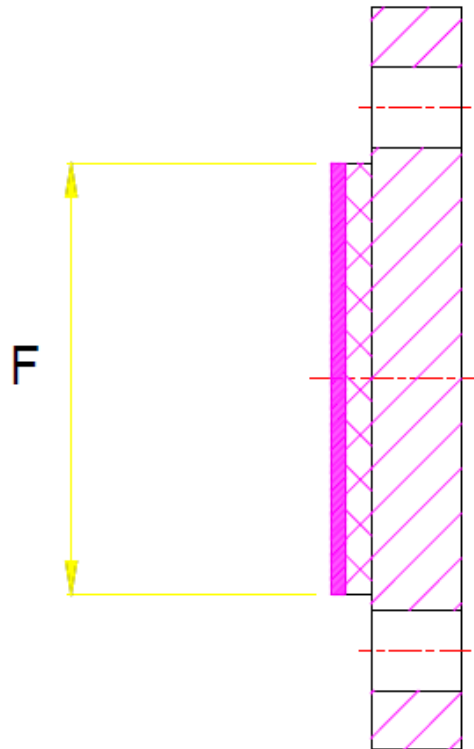
ANSI # 150

Steel Fabrication: ASTM A 105N

PTFE: ASTM D 4894 Type

PVDF - ASTM D 3222

Polypropylene - ASTM D 4101



A mm	F mm
15	35
20	43
25	51
32	64
40	73
50	92
65	105
80	127
100	157
125	186
150	216
200	270
250	324
300	381

T - bonded linings. K & P - full face, non-bonded linings.